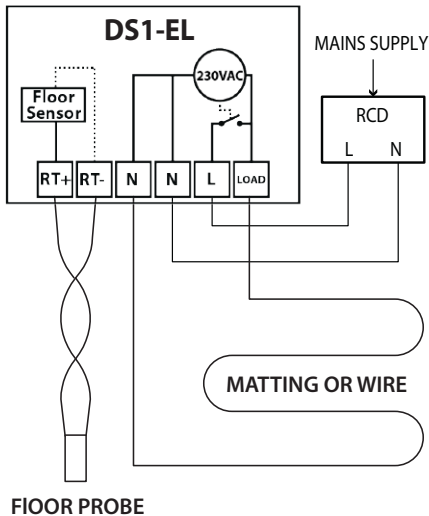




## Wiring Diagram



### Want More Information?

Call our support team on:  
+44 (0)1254 669090

Or view technical specifications  
directly on our website:  
[www.heatmiser.com](http://www.heatmiser.com)



PDF



FAQ

# heatmiser®



Model: **DS1-EL**



## Introduction

The Heatmiser DS1-EL dial type thermostat is designed specifically for electric underfloor heating.

This thermostat incorporates the following functions;

- Adjustable Switching Differential
- Digital LCD
- 230v AC, 13A Switching

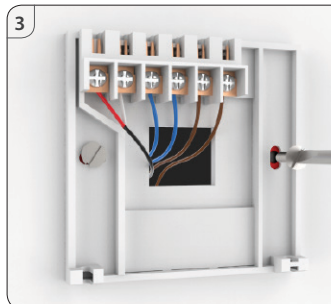
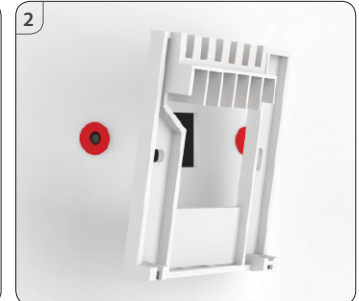


## Installation

**IN ORDER TO AVOID ANY RISK OF ELECTRIC SHOCK, TURN OFF THE POWER TO THE HEATING SYSTEM.**

**This dial thermostat is designed to be surface mounted.**

1. Separate the front part of the thermostat by unscrewing securing screws on the bottom face of the thermostat.
2. Mark 2 hole positions on the wall using the backplate as a positioning template. Drill at the marked positions and insert a wall plug in to each hole.
3. Terminate the thermostat as per wiring diagram and screw the DS1-EL back plate to the back box.
4. Reconnect the thermostat front plate and insert the securing screws.



## LCD Display Icons



Heating ON



Keypad Locked

## Setting The Temperature

In normal mode, the display shows the actual room temperature. To change the set point, rotate the dial until the digital LCD displays the new set temperature.

## Lock Facility

The Heatmiser DS1-EL has a lock facility. To lock the thermostat, press and hold down the dial for 10 seconds. You will see a lock symbol appear. To unlock, repeat the steps above.



## Floor Temperature Limit

This setting is only required when the sensor option is set to Air and Floor mode.

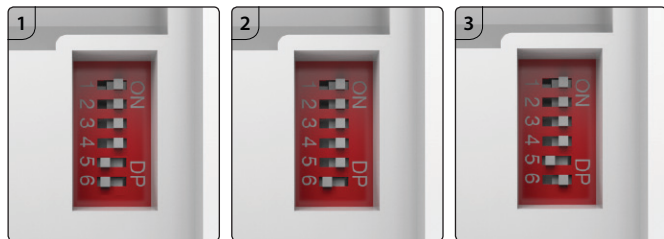
The setting is used to protect the floor surface from overheating.

The floor temperature limit can be set to 20, 28 or 40°C.

To set the required floor limit temperature, set the DIP switches according to the table.

|   |      |                              |
|---|------|------------------------------|
| 1 | 20°C | Switch 5 & 6 OFF             |
| 2 | 28°C | Switch 5 ON and Switch 6 OFF |
| 3 | 40°C | Switch 5 OFF and Switch 6 ON |

Should the floor temperature be achieved (even if the desired room temperature has not) the heating will turn off. The Heat Active Icon will flash in this case.



## Sensor Option

The thermostat has three modes of operation. Select the desired mode, and set the DIP switches according to the table.

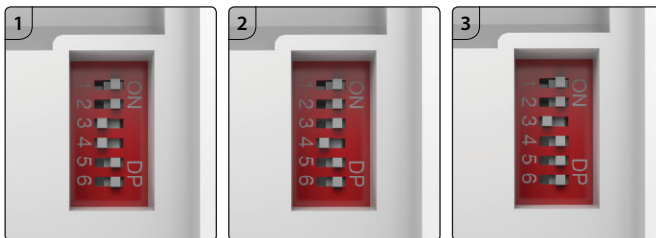
The DIP switches can be accessed from the back of thermostat.

Air Sensor: Uses the built in air sensor only.

Air Sensor & Floor Limiting Sensor: Uses the built in air sensor but also uses the remote floor sensor to ensure the floor temperature doesn't overheat.

Floor Sensor: Uses the remote floor sensor only.

|   |              |                              |
|---|--------------|------------------------------|
| 1 | Air Sensor   | Switch 3 & 4 OFF             |
| 2 | Air & Floor  | Switch 3 ON and Switch 4 OFF |
| 3 | Floor Sensor | Switch 3 OFF and Switch 4 ON |



## Switching Differential

The Heatmiser DS1-EL offers 1, 2 and 3°C switching differential.

With a 1°C switching differential the heating will switch on 1°C below the set temperature and will turn off when the set temperature is reached.

A 2°C will turn the heating on 2°C below the set temperature.

3°C will switch the heating on 3°C below the set temperature.

To set the differential, set the DIP switches according to the table below.

|   |               |                              |
|---|---------------|------------------------------|
| 1 | 1°C Switching | Switch 1 & 2 OFF             |
| 2 | 2°C Switching | Switch 1 ON and Switch 2 OFF |
| 3 | 3°C Switching | Switch 1 OFF and Switch 2 ON |

